



Model: Belle

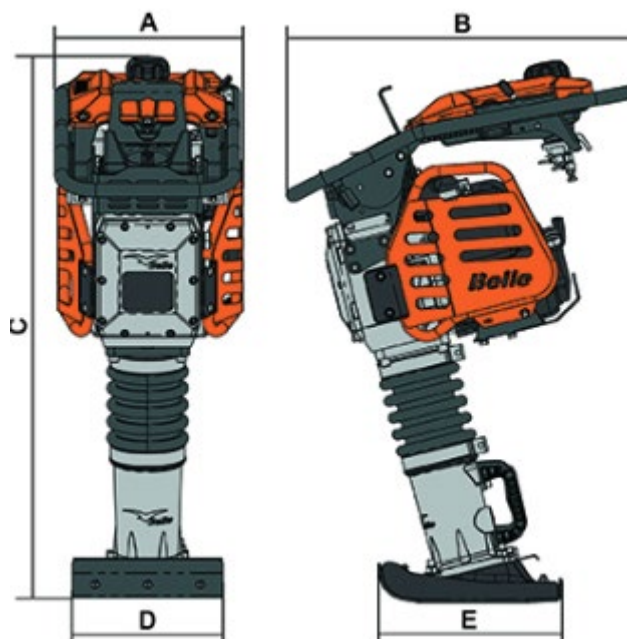
Model: RXT60

Description: Trench Rammer Petrol



The RTX 60 Compact Honda Petrol Trench Rammer feature excellent balance for easy control and high level compaction, great for compacting all types of materials including hardcore and gravel. Ideal for use in trenches and confined spaces. Fitted with a 280mm tamping foot as standard, but can be supplied with a 165mm tamping foot.

Specification



**RTX
60**

A - Width	(mm)	345
B - Length	(mm)	705
C - Height	(mm)	975
D - Shoe Width*	(mm)	165
E - Shoe Length*	(mm)	335

Model	Part Number	Engine Power (Hp) - (kW)	Blows per Minute	Carburettor Type	Impact Force (kN)	Amplitude (mm)	Frequency (Hz)	Weight (kg)
RTX 60R Honda GX100 Petrol 165mm Foot	RTX60H2165S	3.7 - 2.7	450- 660	Diaphragm	13.6	52	11	60
RTX 60R Honda GX100 Petrol 230mm Foot	RTX60H2230S	3.7 - 2.7	450- 660	Diaphragm	13.6	52	11	60
RTX 60R Honda GX100 Petrol 280mm Foot	RTX60H2280S	3.7 - 2.7	450- 660	Diaphragm	13.6	52	11	60