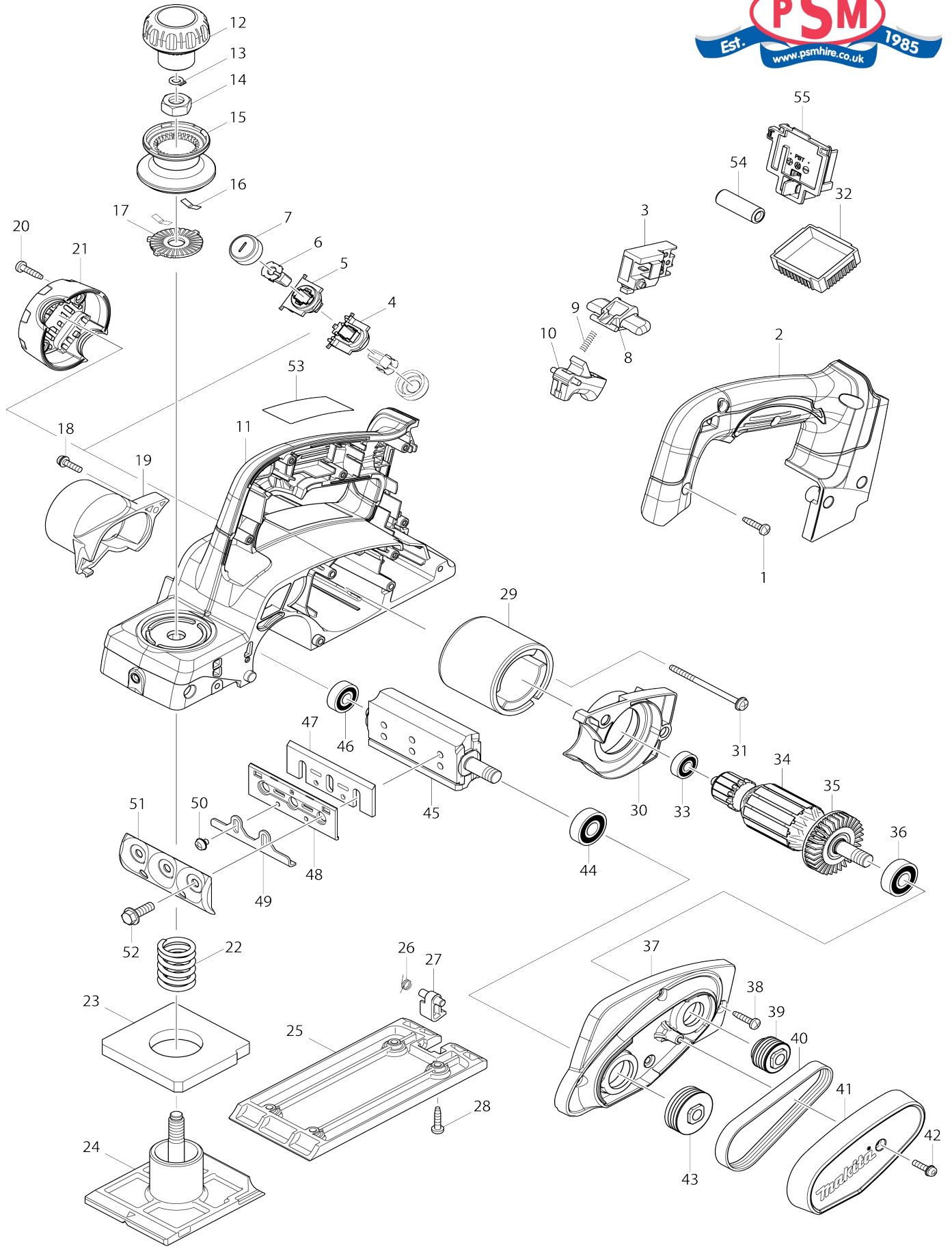


Model No. DKP180 Cordless Planer



Model No.DKP180 Cordless Planer

Item No.	Parts No.	Description	Interchangability	Q'ty	New/Old	Note1	Note2
001	266326-2	Binding head tapping screw 4X18		6			
002	140905-3	Handle cover complete		1	*		
C10	263005-3	Rubber pin 6		1	*		
002-1	140905-3	Handle cover complete	O	1			
C10	263005-3	Rubber pin 6		1			
003	650631-1	Switch		1			
004	643872-6	Brush holder		1			
005	643873-4	Brush holder		1			
006	194435-6	Carbon brush set CB-441		1	*		
006-1	195022-4	Carbon brush set CB-441	O	1			
007	643829-7	Holder cap		2			
008	419664-3	Lock off lever		1			
009	231469-9	Compression spring 4		1	*		
009-1	231469-9	Compression spring 4	O	2			
010	419665-1	Switch lever		1			
011	140904-5	Main frame complete		1			
C10	263005-3	Rubber pin 6		1			
012	451328-3	Knob cover		1			
013	961004-6	Retaining ring (EXT) S-8		1			
014	264028-4	Hex. nut M10		1			
015	452480-0	Knob		1	*		
015-1	452480-0	Knob	O	1			
016	232185-6	Leaf spring		2			
017	346110-2	Cam plate		1	*		
017-1	346110-2	Cam plate	O	1			
018	911128-8	Pan head screw M4X16 WR		1			
019	451329-1	Nozzle		1			
020	266326-2	Binding head tapping screw 4X18		2			
021	419281-9	Rear cover		1			
022	231004-3	Compression spring 18		1	*		
022-1	233395-8	Compression spring 18	O	1			
023	421007-7	Rubber packing		1			
024	319011-7	Front base		1			
025	319009-4	Base		1			
026	231698-4	Torsion spring 7		1			
027	451392-4	Foot		1	*		
027-1	413L64-1	Foot	<	1			
028	266326-2	Binding head tapping screw 4X18		4			
029	638571-3	Yoke unit		1			
030	452479-5	Baffle plate		1			
031	266292-3	Binding head tapping screw 4X65		2	*		
031-1	265A85-1	Tapping screw 4X65	O	2	*		
031-2	266340-8	Binding head tapping screw 4X65	O	2			
032	620264-6	Controller		1	*		

032-1	620G74-3	Controller	<	1			
033	210017-7	Ball bearing 607DDW		1			
034	519272-1	Armature assembly DC18V		1			
034		INC. 33,35,36					
035	240052-1	Fan 46		1			
036	211088-7	Ball bearing 6000DDW		1			
037	140753-0	Bracket complete		1			
C10	263002-9	Rubber pin 4		2			
038	266326-2	Binding head tapping screw 4X18		4			
039	222172-3	V-pulley 4-24L		1			
040	225007-7	Poly V-belt 4-241		1			
041	452478-7	Belt cover		1			
042	911128-8	Pan head screw M4X16 WR		1	*		
042-1	911138-5	Pan head screw M4X20 WR	<	1			
043	222173-1	V-pulley 4-33.5		1			
044	211088-7	Ball bearing 6000DDW		1			
045	161061-6	Drum		1			
046	211032-4	Ball bearing 608ZZ		1			
047	A-82921	T.C.T. MINI PLANER BLADE		1	*		
047-1	D-07945	82MM TCT MINI PLANER BLADE	O	1			
048	343433-9	Set plate		2			
049	345644-2	Adjust plate		2	*		
049-1	345644-2	Adjust plate	O	2			
049-1 K	345644-2	Adjust plate		2			
050	265132-2	Pan head screw M4X5		4			
051	187679-5	Drum plate set		1			
052	251609-3	Hex. head flange bolt M6X17		6			
053	815K71-8	Name plate DKP180		1			
054	688165-4	Line filter		1			
055	644808-8	Terminal		1			
A01	165581-2	Guide rule		1			
A02	265785-7	Thumb screw M5X10		1			
A03	123062-2	Blade gauge assembly		1	*		
C10	911228-4	Pan head screw M5X18 WR		2	*		
C20	411086-3	Gauge plate		1	*		
A03-1	127669-6	Blade gauge assembly	O	1	*		
C10	911228-4	Pan head screw M5X18 WR		2	*		
C20	418465-6	Gauge plate		1	*		
A03-2	122695-0	Blade gauge assembly	O	1			
C10	265131-4	Pan head screw M5X18		2			
C20	418465-6	Gauge plate		1			
A04	782209-3	Box wrench 9		1			
A05	***DC18RC	DC18RC FAST CHARGER		1			
A05	821551-8	Connector plastic case (type 3)		1			
C10	453974-8	Latch		4			
A06	194204-5	Battery BL1830 set		2	*		
A06	837808-7	Inner tray		1			
A06J	196399-0	Battery BL1840 set		2	*		
A06-1	194204-5	Battery BL1830 set	O	2	*		
A06-1J	196399-0	Battery BL1840 set	O	2	*		

A06-2	197600-6	Battery BL1830B set	<	2	*		
A06-2J	197265-4	Battery BL1840B set	<	2	*		
A06-2 K	197280-8	Battery BL1850B set		2	*		
A06-3	197600-6	Battery BL1830B set	O	2			
A06-3J	197265-4	Battery BL1840B set	O	2			
A06-3 K	197280-8	Battery BL1850B set	O	2			
A07	450128-8	Battery cover		1			
A07H	803H80-1	Indication label DKP180ZJ		1			
A07I	803X76-8	Indication label DKP180Y1J		1			
A08E	824982-0	Plastic case		1			
C10	162271-8	Latch		2			
C20	450990-1	Handle		1			
A08	821551-8	Connector plastic case (type 3)		1			
C10	453974-8	Latch		4			
A08H	803H81-9	Plastic case label DKP180ZJ		2			
A08I	803X77-6	Plastic case label DKP180YJ		2			
A09E	837295-0	Inner tray		1	*		
A09	837808-7	Inner tray		1			
A09I	196235-0	Battery BL1815N set		1	*		
A09-1 E	836393-7	Inner tray	O	1			
A09-1 I	196235-0	Battery BL1815N set	O	1			
A10G	803H78-8	Indication label DKP180RFJ		1			
A10J	804G41-8	Indication label DKP180RMJ		1			
A10K	808W81-4	Indication label DKP180RTJ		1			
A11G	803H79-6	Plastic case label DKP180RFJ		2			
A11J	804G42-6	Plastic case label DKP180RMJ		2			
A11K	808W82-2	Plastic case label DKP180RTJ		2			
B01	195055-9	Guide rule set		1			
B01		INC. A01,A02					
F05	191725-8	Extension guide set		1			
F06	193540-6	Set plate set		1			
F15	196448-3	Battery BL1815N set		1	*		
F15-2	196235-0	Battery BL1815N set	O	1			
F16-1	196449-1	Battery BL1815N set	O	1			
F17	196450-6	Battery BL1815N set		1	*		
F17-2	196449-1	Battery BL1815N set	O	1			

Please state Parts No. when your order.

Print Date 03/09/2026