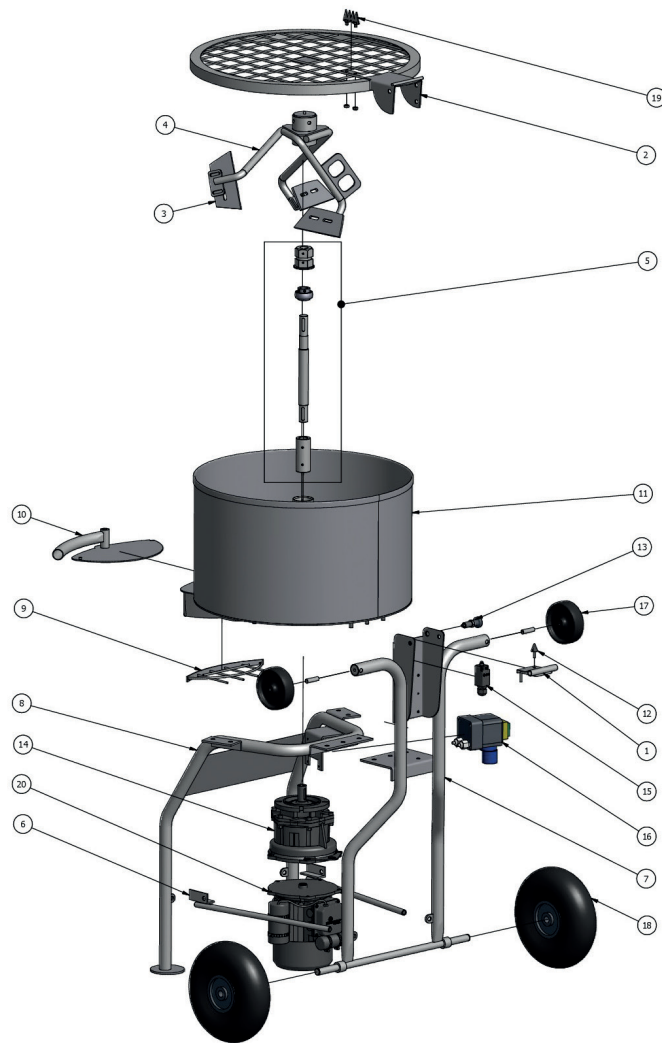


E120 RESERVEDELE / SPARE PARTS



POS.	PART NUMBER	BESKRIVELSE	DESCRIPTION
1	E.090.262.000	Plade for lågkontakt	Plate for cover switch
2	E.090.525.000	Låg, Ø674	Cover, Ø674
3	E.090.470.000	Metalskovle komplet sæt (3stk.)	Metal shovels complete set (3pcs.)
4	E.120.450.000	Blanderarm (uden skovle)	Mixer head (without shovels)
5	E.120.424.025	Komplet drivaksel inkl. bøsning	Complete Drive Shaft with Bearing
6	E.090.383.000	Forbindelsesstykke sæt (2stk.)	Connection bar set (2pcs.)
7	E.120.375.000	Bagramme understel	Back frame
8	E.090.350.000	Forramme understel	Front frame
9	E.090.150.000	Sikkerhedsgitter for udløb	Outlet protection
10	E.090.125.000	Udløbsplade komplet	Trapdoor complete
11	E.120.050.000	Blandekar, H.374xB.645mm	Container, H.374xB.645mm
12	B.000.070.010	Gummidæmper	Rubber damper
13	B.000.060.010	Positionsbolt	Positioning bolt
14	B.000.051.100	Gear til E90/E120/M80/M110	Gear for E90/E120/M80/M110
15	B.000.030.010	Mekanisk lågkontakt	Mechanical cover switch
16	B.000.020.010	Hovedafbryder, 240V	Main switch, 240V
17	B.000.010.020	Transporthjul + bøsning (1stk.)	Transportwheel + bushing (1pc.)
18	B.000.010.010	Luftgummihjul (1stk.)	Rubberwheel (1pc.)
19	E.090.525.021	Sækkekniv komplet	Sack knife complete
20	B.000.041.240	Motor, 2,0kW, 240V	Motor, 2,0kW, 240V

PART NUMBER	ØVRIGE RESERVEDELE	OTHER SPARE PARTS
E.090.495.000	Gummiskovle komplet sæt (3stk.)	Rubber shovels complete set (3pcs.)
B.000.041.100	Motor, 2,0kW, 110V	Motor, 2,0kW, 110V
B.000.041.400	Motor, 2,0kW, 400V	Motor, 2,0kW, 400V
B.000.070.110	Kugleleje	Bearing
B.000.020.020	Hovedafbryder, 110V	Main switch, 110V
B.000.020.030	Hovedafbryder, 400V	Main switch, 400V
B.000.022.000	Nødstoplåg for hovedafbryder	E-stop lid for main switch
B.000.025.006	Motorværn med u/spole, 110V	Main relais with u/voltage rel. 110V
B.000.025.004	Motorværn med u/spole, 240V	Main relais with u/voltage rel. 240V
B.000.025.000	Motorværn med u/spole, 400V	Main relais with u/voltage rel. 400V
B.000.025.011	Underspændingsspole, 110V	Undervoltage relais, 110V
B.000.025.012	Underspændingsspole, 240V	Undervoltage relais, 240V
B.000.025.013	Underspændingsspole, 400V	Undervoltage relais, 400V
E.090.550.000	Støvlåg	Dust lid (Cover)
E.090.560.000	Beslag for slangemontering	Filling cap for dust cover
B.000.026.010	CEE. Adaptor	CEE. Adaptor
B.000.020.081	Forlængerkabel m/CE-stik 2m	Extension cable w/CE-plug 2m
B.000.070.020	Not for drivaksel, 8x40x7mm	Spleen for driveshaft
B.000.046.090	Klixon-relæ	Klixon-relay
E.090.395.000	Spandehylde komplet	Bucket support complete

Kondensatorer & Motorværn -> Se separat side

Capacitors & Motor protection -> See separate page

KONDENSATORER / CAPACITATORS

MOTORTYPE		YDELSE Effect	SPÆNDING Power	FREKVENS Frequency	STARTKONDENSATOR Starting capacitor	DRIFTSKONDENSATOR Working capacitor	FASEKONDENSATOR Phase capacitor
		Kw	V	Hz			
TVANGSBLANDERE Forced action mixers	ML80C4B5Z-KBARON110	1,1	110	50	600uF/125V	100uF/250V	80uF/250V
	ML80C4B5Z-KBARON240	1,1	240	50	150uF/250V	25uF/450V	20uF/450V
	ML80C4B5Z-KBARON24060	1,1	240	60	150uF/250V	25uF/450V	20uF/450V
	ML90LC4B5Z-KBARON110	1,8	110	50	800uF/125V	120uF/250V	
	Bame - engine						
	Motor type 240V	1,1	240	50	75uF /250V	31,5uF/450V	
	Motor type 110V	1,1	110	50	315uF / 250V	130uF/250V	
TRANSPORTBÅND Conveyors	Motovario - engine				Startkond+switch0+100uF		
	Motovario 110V	1,8	110	50	100uF	80uF	
	Bånd CXL				Startkond+switch0+40uF		
	Synflex Danrol Motor	0,50	240	50	40uF	25uF	
	Synflex Rulmeca Motor	0,55	240	50	40uF	16uF	

MOTOR PROTECTION

BLANDERE / MIXERS		BÅND / CONVEYOR																		
MOTORVÆRN Main relais		110V	240V	400V	110V	240V	400V	110V	400V	400V	110V	240V	400V	110V	240V	400V	110V	400V	400V	1x400V & 3x240V
		M80	M80	M80	M110	M110	M110	M200	M200	M300	E90	E90	E90	E120	E120	E120	E200	E200	E300	
B.000.025.000	2,5-4,0			*			*						*			*				*
B.000.025.002	4,0-6,3							*										*		
B.000.025.004	6,3-10,0		*			*			*			*			*				*	
B.000.025.006	10,0-16,0	*			*						*		*		*				*	
B.000.025.008	20,0-25,0						*									*				

