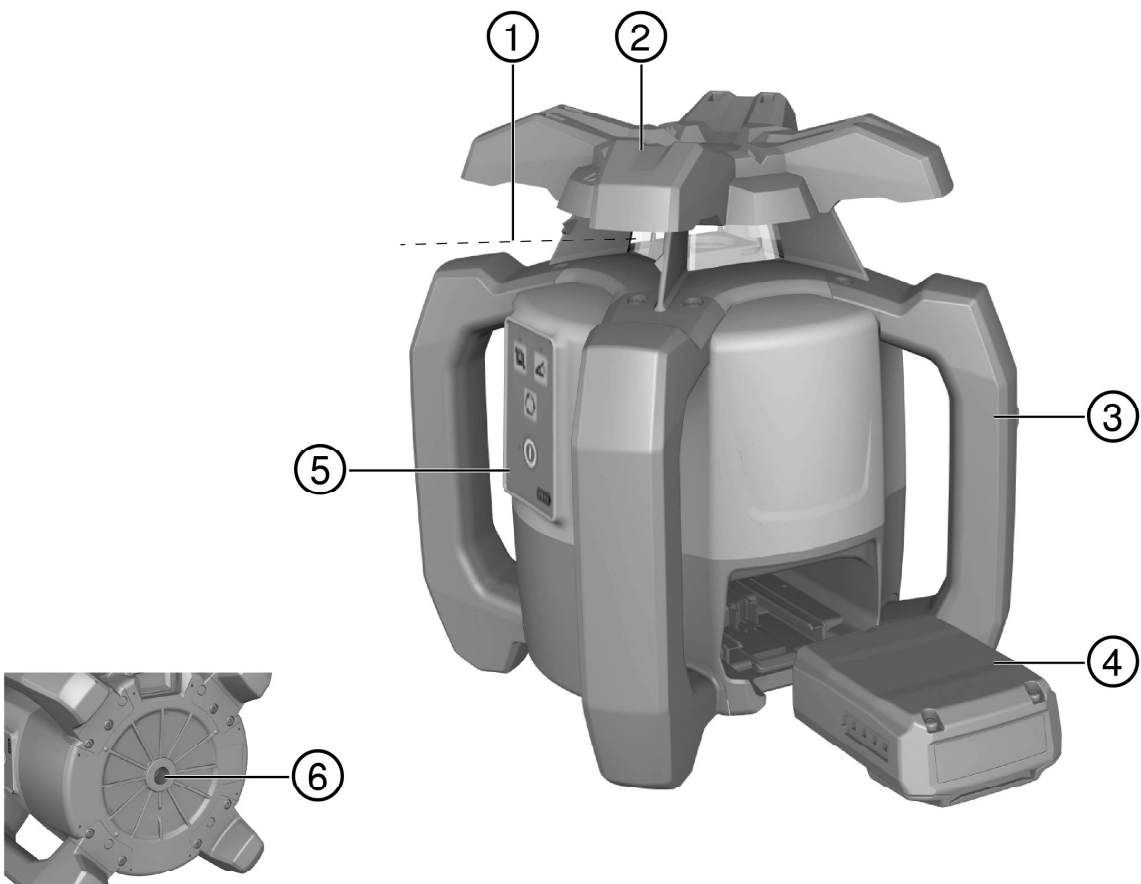


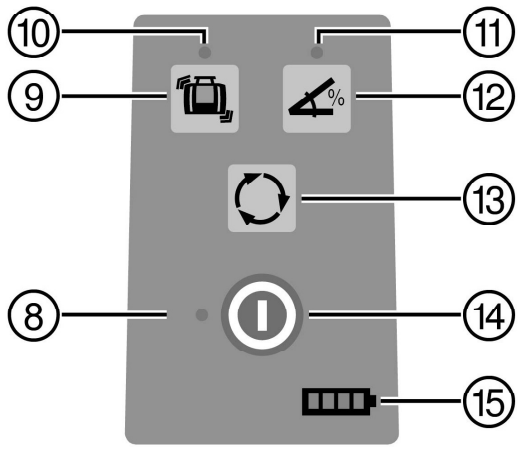


Deutsch	1
English	12
Français	22
Italiano	33
Español	44
Português	55
Nederlands	66
Dansk	77
Norsk	88
Svenska	98
Suomi	108
Magyar	119
Polski	130
Čeština	141
Slovenčina	152
Latviešu	162
Lietuvių	173
Eesti	184
Ελληνικά	194
Hrvatski	206
Srpski	217
Български	227
Română	238
Slovenščina	249
עברית	260

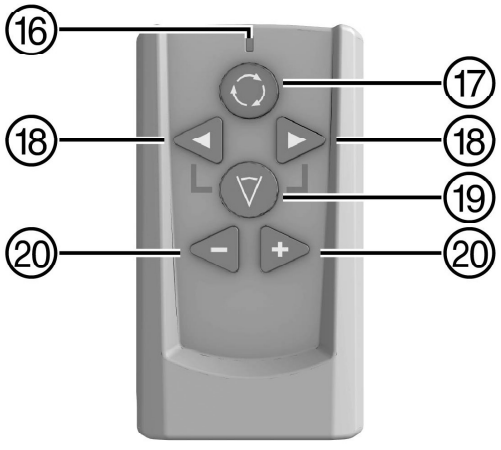
PR 3-HVSG A12



2



3



4

1



2



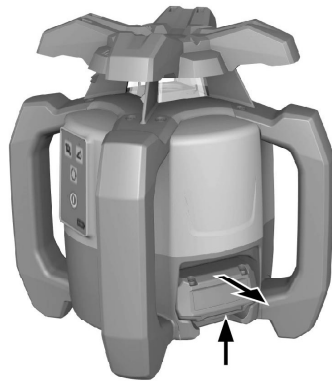
3



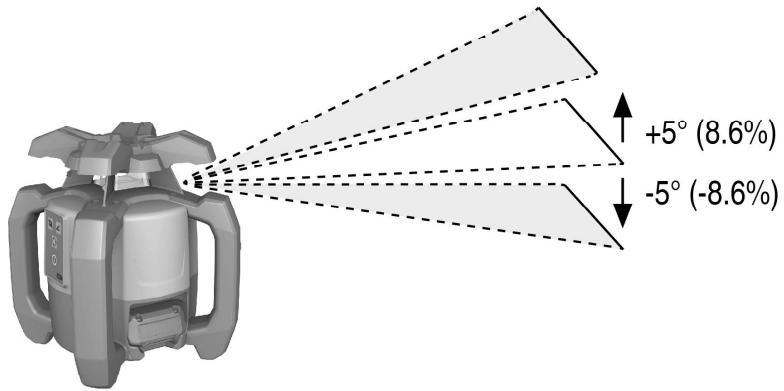
5



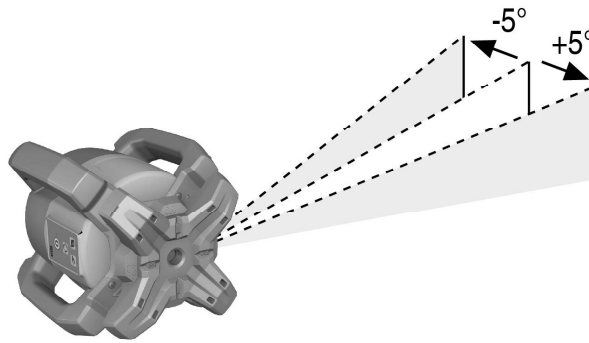
6



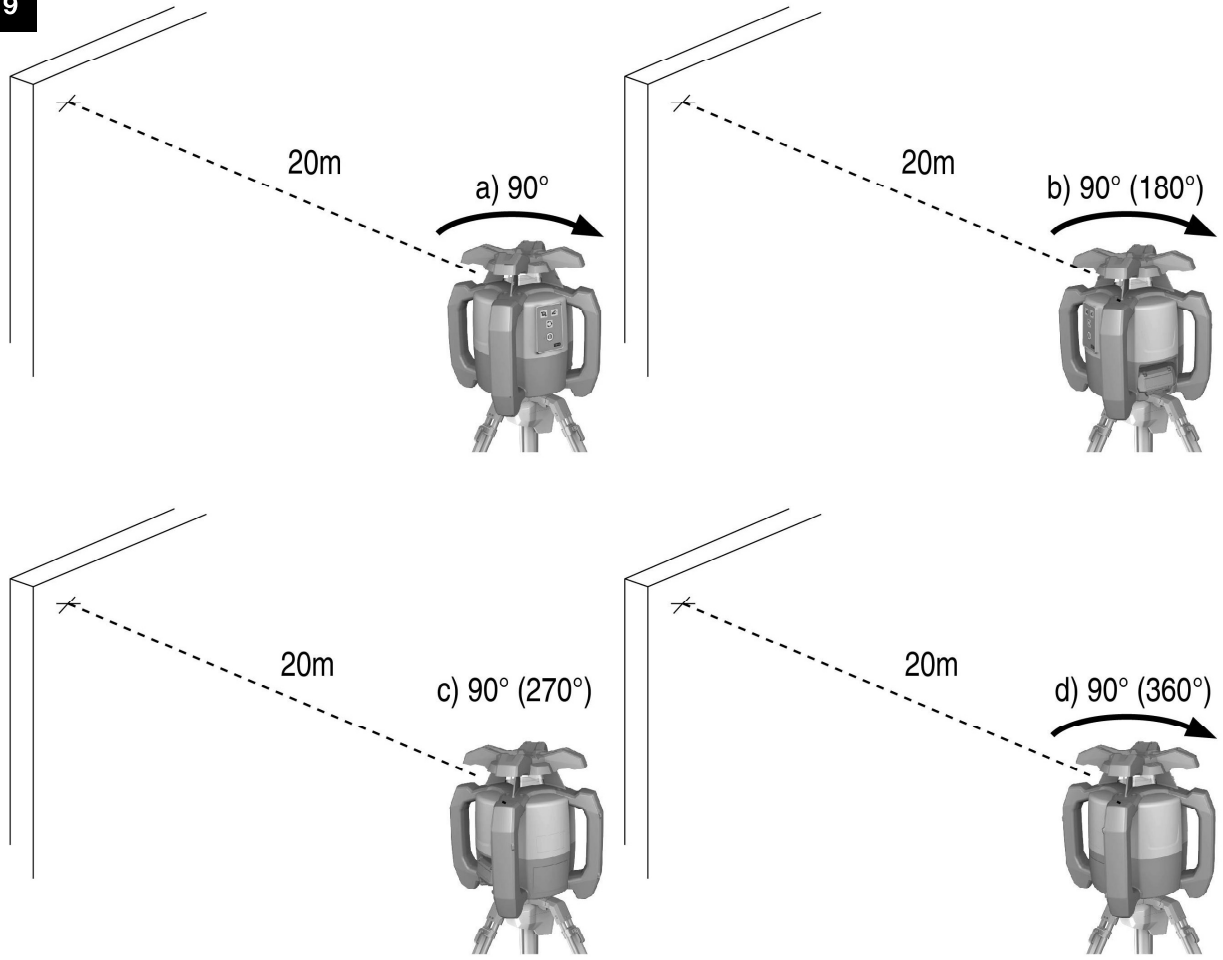
7



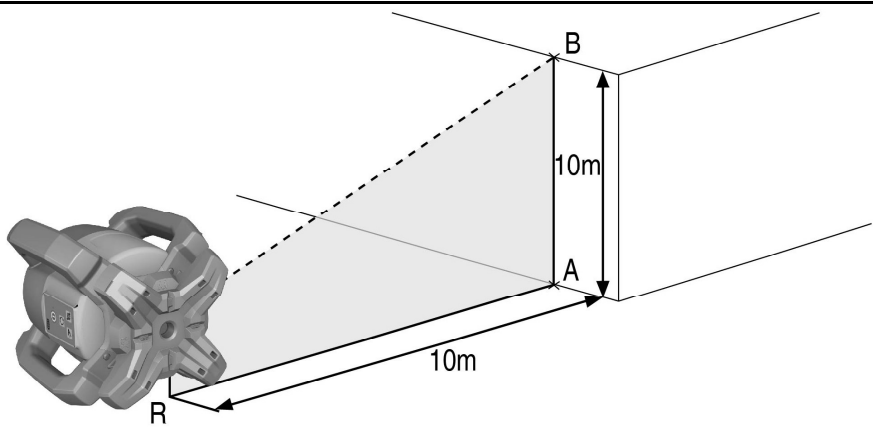
8



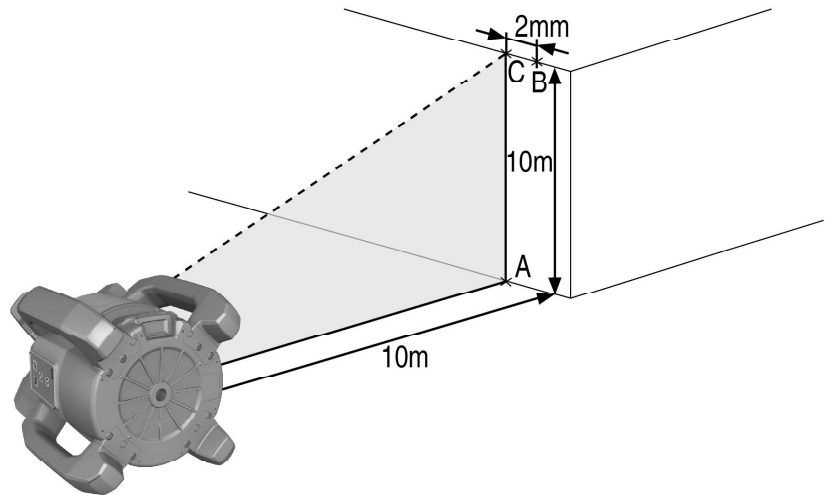
9



10



11



Original operating instructions

1 Information about the documentation

1.1 About this documentation

- Read this documentation before initial operation or use. This is a prerequisite for safe, trouble-free handling and use of the product.
- Observe the safety instructions and warnings in this documentation and on the product.
- Always keep the operating instructions with the product and make sure that the operating instructions are with the product when it is given to other persons.

1.2 Explanation of symbols used

1.2.1 Warnings

Warnings alert persons to hazards that occur when handling or using the product. The following signal words are used:



DANGER

DANGER !

- ▶ Draws attention to imminent danger that will lead to serious personal injury or fatality.



WARNING

WARNING !

- ▶ Draws attention to a potential threat of danger that can lead to serious injury or fatality.



CAUTION

CAUTION !

- ▶ Draws attention to a potentially dangerous situation that could lead to slight personal injury or damage to the equipment or other property.

1.2.2 Symbols in the documentation

The following symbols are used in this document:

	Read the operating instructions before use.
	Instructions for use and other useful information
	Dealing with recyclable materials
	Do not dispose of electric equipment and batteries as household waste

1.2.3 Symbols in the illustrations

The following symbols are used in illustrations:

2	These numbers refer to the corresponding illustrations found at the beginning of these operating instructions
3	The numbering reflects the sequence of operations shown in the illustrations and may deviate from the steps described in the text
⑪	Item reference numbers are used in the overview illustrations and refer to the numbers used in the product overview section
	This symbol is intended to draw special attention to certain points when handling the product.



1.3 Product-dependent symbols

1.3.1 Symbols on the product

The following symbols can be used on the product:

	The product supports wireless data transmission compatible with iOS and Android platforms.
	HilTi Li-ion battery type series used. Observe the information given in the section headed In-tended use .
Li-Ion	Li-ion battery
	Never use the battery as a striking tool.
	Do not drop the battery. Never use a battery that has suffered an impact or is damaged in any other way.

1.4 Product information

HILTI products are designed for professional users and only trained, authorized personnel are permitted to operate, service and maintain the products. This personnel must be specifically informed about the possible hazards. The product and its ancillary equipment can present hazards if used incorrectly by untrained personnel or if used not in accordance with the intended use.

The type designation and serial number are printed on the rating plate.

- ▶ Write down the serial number in the table below. You will be required to state the product details when contacting Hilti Service or your local Hilti organization to inquire about the product.

Product information

Rotating laser	PR 3-HVSG A12
Generation	02
Serial no.	

1.5 Declaration of conformity

We declare, on our sole responsibility, that the product described here complies with the applicable directives and standards. A copy of the declaration of conformity can be found at the end of this documentation.

The technical documentation is filed and stored here:

Hilti Entwicklungsgesellschaft mbH | Tool Certification | Hiltistraße 6 | 86916 Kaufering, DE

2 Safety

2.1 Safety instructions

2.1.1 Basic information concerning safety

Read all safety instructions and other instructions. Failure to observe the safety instructions and other instructions may result in electric shock, fire and/or serious injury.

Retain all safety precautions and instructions for future reference. The term “electric tool” used in the safety instructions refers to your mains-operated (corded) electric tool or battery-operated (cordless) electric tool.

2.1.2 General safety instructions

- ▶ **Stay alert, watch what you are doing and use common sense when operating an electric tool. Do not use an electric tool while you are tired or under the influence of drugs, alcohol or medication.** A moment of inattention while operating the electric tool may result in serious personal injury.
- ▶ **Do not render safety devices ineffective and do not remove information and warning notices.**
- ▶ **Keep laser tools out of reach of children.**
- ▶ Laser radiation in excess of Class 2 may be emitted if the tool is opened without following the correct procedures. **Have the tool repaired only by Hilti Service.**
- ▶ Laser beams should be projected well above or well below eye height.
- ▶ **Take the influences of the surrounding area into account. Do not use the tool where there is a risk of fire or explosion.**



- ▶ Statement in accordance with FCC §15.21: Changes or modifications not expressly approved by Hilti may restrict the user's authorization to operate the equipment.
- ▶ **You must check the accuracy of the tool after it has been dropped or subjected to other mechanical stresses.**
- ▶ **When the tool is brought into a warm environment from very cold conditions, or vice-versa, allow it to become acclimatized before use.**
- ▶ **Make sure that the tool is mounted securely when adapters or accessories are used.**
- ▶ **Keep the laser exit aperture clean to avoid measurement errors.**
- ▶ **Although the device is designed for the tough conditions of jobsite use, as with other optical and electronic instruments (e.g. binoculars, spectacles, cameras) it should be treated with care.**
- ▶ **Although the device is protected to prevent entry of dampness, it should be wiped dry each time before being put away in its transport container.**
- ▶ **Check the tool before using it for important measuring work.**
- ▶ **Check the accuracy of the measurements several times during use of the tool.**
- ▶ **Ensure that the workplace is well lit.**
- ▶ Avoid touching the contacts.
- ▶ **Maintain the tool carefully. Check for misalignment or binding of moving parts, breakage of parts and any other condition that may affect the tool's operation. Have damaged parts repaired before using the tool.** Many accidents are caused by poorly maintained tools.

2.1.3 Proper preparation of the working area

- ▶ **Secure the area in which you will be taking measurements. Make sure that the laser beam is not directed toward other persons or toward yourself while setting up the PR 3-HVSG A12.**
- ▶ **Avoid unfavorable body positions when working from ladders. Make sure you work from a safe stance and stay in balance at all times.**
- ▶ Readings taken in the vicinity of reflective objects or surfaces, through panes of glass or similar materials may produce incorrect results.
- ▶ **Ensure that the tool is set up on a stable, level surface (not subject to vibration).**
- ▶ **Use the tool only within its specified limits.**
- ▶ **Use the tool and its accessories etc. in accordance with these instructions and in the manner intended for the particular type of tool. Take the working conditions and the task to be performed into account.** Use of tools for applications different from those intended could result in a hazardous situation.
- ▶ **Use of the telescopic staff in the vicinity of overhead high voltage cables is not permissible.**
- ▶ Make sure that no other PR 3-HVSG A12 is in use in the vicinity. **The IR controller can influence the tool you are using.** Check the equipment from time to time.

2.1.4 Electromagnetic compatibility

Although the tool complies with the strict requirements of the applicable directives, **Hilti** cannot exclude the following possibilities:

- The tool may be negatively affected by powerful electromagnetic radiation, possibly leading to incorrect operation.
In these cases, or if you are otherwise unsure, confirmatory measurements should be made by other means.
- The tool can cause interference to other devices (e.g. aircraft navigation equipment).

Only for Korea:

This device is suitable for the electromagnetic radiation encountered in residential environments (Class B). It is intended mainly for use in residential environments but may also be used in other environments.

2.1.5 Laser classification for Class 2 laser products

The tool complies with laser Class 2 as per IEC60825-1:2007 / EN60825-1:2007. These devices can be used without further protective measures.

CAUTION

Risk of injury! Do not direct the laser beam toward persons.

- ▶ Never look directly into the source of the laser beam. In the event of direct eye contact, close your eyes and move your head out of the path of the laser beam.



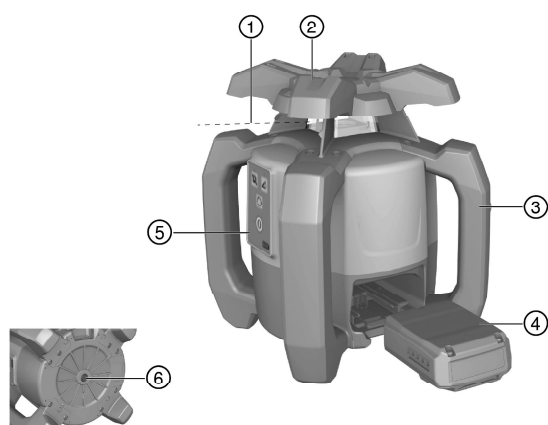
2.1.6 Careful use of battery-powered tools

- ▶ **Do not expose batteries to high temperatures, the direct heat of the sun, and keep them away from fire.** There is a risk of explosion.
- ▶ **Do not disassemble, squash or incinerate batteries and do not subject them to temperatures over 80°C (176°F).** This presents a risk of fire, explosion or injury through contact with caustic substances.
- ▶ **Do not subject the battery to hard mechanical impacts and do not throw the battery.**
- ▶ **Batteries must be kept out of reach of children.**
- ▶ **Avoid ingress of moisture.** Ingress of moisture may cause a short circuit, resulting in burning injuries or fire.
- ▶ **Under abusive conditions, liquid may leak from the battery. Avoid contact with the liquid. If contact accidentally occurs, flush with water. If the liquid contacts the eyes, also seek medical attention.** Liquid leaking from the battery may cause irritation or burns.
- ▶ **Use only batteries of the type approved for use with the applicable tool.** Use of other batteries or use of the batteries for purposes for which they are not intended presents a risk of fire and explosion.
- ▶ Store the battery in a cool and dry place. Never store the battery where it is exposed to direct sunlight or sources of heat, e.g. on heaters / radiators or behind glass.
- ▶ **When not in use, keep the battery and the charger away from paper clips, coins, keys, nails, screws or other small metal objects that could cause a short circuit at the battery terminals or the charging contacts.** Short-circuiting the contacts on a battery or charger may cause burning injuries or start a fire.
- ▶ **Do not charge or continue to use damaged batteries (e.g. batteries with cracks, broken parts, bent or pushed-in and/or pulled-out contacts).**
- ▶ **Recharge only with the charger specified by the manufacturer.** A charger that is suitable for a certain type of battery may present a risk of fire when used with other types of battery.
- ▶ Observe the special guidelines applicable to the transport, storage and use of Li-ion batteries.
- ▶ **The battery must be insulated or removed from the tool before the tool is shipped or sent by mail.** Leaking batteries may damage the tool.
- ▶ If the battery gets noticeably hot when not in use, this may indicate that the battery or the tool / battery system is faulty. **In this case, place the tool in a non-flammable location, well away from flammable materials, where it can be kept under observation and allowed to cool down.**

3 Description

3.1 Overview of the product

3.1.1 PR 3-HVSG A12 rotating laser 1



Key

- ① Laser beam (plane of rotation)
- ② 90° reference beam
- ③ Grip
- ④ Li-ion battery
- ⑤ Control panel
- ⑥ Base plate with 5/8" thread

3.1.2 PR 3-HVSG A12 control panel 2

Key

- ⑧ LED: Auto-leveling
- ⑨ Button: Shock warning deactivation
- ⑩ LED: Shock warning deactivation
- ⑪ LED: Inclination angle
- ⑫ Button: Inclination angle
- ⑬ Button: Speed of rotation
- ⑭ Button: "On/off"
- ⑮ Battery status



3.1.3 PRA 2 remote control unit

Key

- | | |
|-------------------------------------|-----------------------|
| LED: Command sent | Button: Line function |
| Button: Speed of rotation | Servo buttons (+/-) |
| Button: Line direction (left/right) | |

3.2 Intended use

The product described is a rotating laser tool with a visible green rotating laser beam and a reference beam set at 90° to the main beam. The rotating laser can be used vertically, horizontally and for inclined planes. The tool is designed to be used to determine, transfer and check levels, verticals, slopes and right angles. Examples of its uses are: transferring datum lines and height marks, determining right angles for walls, vertical alignment on reference points and setting out slopes.

- ▶ Use only the **Hilti B 12/2.6** Li-Ion battery for this product.
- ▶ Use only the **Hilti C 4/12-50** charger for this product.

3.3 Features

The tool allows a single person to level or align in any plane quickly and with great accuracy.

4 speeds of rotation are available for use (0, 90, 300, 600 /min). The preset speed of rotation is 300 /min.

The tool is equipped with the following operating status indicators: auto-leveling LED, inclination angle LED and shock warning LED.

When automatic leveling is activated for one or both axes, the built-in servo system ensures that the specified accuracy is maintained. An **automatic cut-out** is activated when the tool is unable to level itself (i.e. when the tool is outside its self-leveling range or movement is blocked mechanically) or the tool is knocked off level (by vibration or an impact). When the tool has switched itself off, rotation stops and all LEDs blink.

Depending on the working distance and ambient light, **visibility of the laser beam** may be impaired. Visibility of the laser beam can be improved through use of the target plate. In situations where laser beam visibility is reduced, e.g. in bright sunlight, use of the laser receiver (accessory) is recommended.

Leveling

After switching on, the tool **levels itself automatically** within a range of ±5° by way of two built-in servo motors. LEDs indicate the tool's current operating status. The tool can be set up directly on the ground or floor, on a tripod, or with the aid of suitable mounting brackets.

Vertical alignment is carried out automatically. The +/- buttons on the **PRA 2** remote control unit can be used to bring the vertical plane manually into alignment (pivot).

In inclined plane mode the **inclination** can be set manually within a range of ± 5° with the aid of the **PRA 2** remote control unit. Alternatively, in inclined plane mode, the slope adapter can be used to achieve slopes of up to 60%.

Thanks to its built-in **shock warning function** the tool switches to warning mode if knocked off level, e.g. due to vibration or impact while in operation (warning mode becomes functional two minutes after completion of self-leveling). All LEDs blink, the laser beam stops rotating and the laser is switched off.

Combination with other devices

The **PRA 2** remote control unit can be used to control the rotating laser conveniently from a distance. The remote control function can also be used to adjust alignment of the laser beam.

Hilti laser receivers can be used to detect and indicate the laser beam at great distances. For further information, please refer to the operating instructions for the laser receiver.

3.4 LED indicators

The rotating laser is equipped with an LED display.

Status	Meaning
All LEDs blink	The tool has been bumped, knocked off level or is subject to some other error.
The auto-leveling LED blinks green	The tool is in the leveling phase.
The auto-leveling LED lights green constantly	The tool has leveled itself / is operating normally.
The shock warning LED lights orange constantly	Shock warning mode is deactivated.
The inclination LED lights orange constantly	Inclined plane mode is active.



3.5 Li-ion battery charge state display

The Li-ion battery features a state of charge display.

Status	Meaning
4 LEDs light.	Charge status: 75 % to 100 %
3 LEDs light.	Charge status: 50 % to 75 %
2 LEDs light.	Charge status: 25 % to 50 %
1 LED lights.	Charge status: 10 % to 25 %
1 LED blinks.	Charge status: < 10 %

- i** When the tool is in operation, the battery charge status is indicated in the display on the tool. When not in operation, battery charge state can be indicated by lightly pressing the release button. During charging, charge state is indicated by the LEDs on the battery (please refer to the operating instructions for the charger).

3.6 Items supplied

PR 3-HVSG A12 rotating laser, PRA 2 remote control, PRA 54 target plate, 2 batteries (size AA), 2 manufacturer's certificates, operating instructions.

- i** You can find other system products approved for your product at your local **Hilti** Center or online at: www.hilti.com.

4 Technical data

Receiving range (diameter)	150 m
Communication range (PRA 2)	30 m
Accuracy at 10 m (under standard ambient conditions in accordance with MIL-STD-810G)	±1 mm
Laser class	Visible, laser class 2, 510-530 nm/Po<4.85 mW ≥ 300 /min; EN 60825-1:2007; IEC 60825-1:2007
Operating temperature	-10 °C ... 50 °C
Storage temperature	-25 °C ... 63 °C
Weight (including B12/2.6 battery)	2.4 kg
Drop test height (under standard ambient conditions in accordance with MIL-STD-810G)	1.5 m
Tripod thread	5/8 in
Protection class in accordance with IEC 60529	IP 56

5 Before use

5.1 Handling the laser and battery correctly

- ▶ Fig. 1: Working in horizontal mode.
- ▶ Fig. 2: In inclined plane mode, the laser should be lifted at the control panel side.
- ▶ Fig. 3: Laying down or transporting in an inclined position.
 - ▶ Hold the laser so that the battery compartment does NOT face upwards, so that no moisture can enter.

- i** The B12 battery has no protection class. Do not expose the battery to rain or wet conditions. In accordance with the **Hilti** instructions, the battery may be used only with the associated product and must be inserted in the battery compartment for this purpose.



5.2 Inserting the battery 5

CAUTION

Risk of injury Inadvertent starting of the product.

- ▶ Check that the product is switched off before fitting the battery.

CAUTION

Electrical hazard. Dirty contacts may cause a short circuit.

- ▶ Check that the contacts on the battery and on the tool are free from foreign objects before inserting the battery.

CAUTION

Risk of injury. If the battery is not fitted correctly it may drop out and fall.

- ▶ Check that the battery is securely seated in the tool so that it cannot drop out and fall, thereby presenting a hazard to other persons.
- ▶ Fit the battery and check that the battery is securely seated in the tool.

5.3 Removing the battery 6

- ▶ Remove the battery.

6 Operation

6.1 Switching the tool on

- ▶ Press the ON / OFF button.



After switching on, the tool begins to level itself automatically.

Check the accuracy of the tool before using it for important tasks, especially if it has been dropped or subjected to unusual influences or impacts etc.

6.2 Working in the horizontal plane 7

1. Mount the tool on a suitable mounting device.



A wall bracket or tripod may be used as mounting devices. The angle of inclination of the surface on which it stands should not exceed $\pm 5^\circ$.

2. Press the ON / OFF button. The auto-leveling LED blinks green.



The laser switches on, the beam begins to rotate and the "auto leveling" LED lights as soon as the tool has leveled itself.

6.3 Working in the vertical plane 8

1. Place or mount the tool so that the control panel faces upwards.



In order to ensure that the tool's specified accuracy can be maintained, make sure that it is set up on a level surface or mounted sufficiently level on the tripod or other accessory.

2. Use the visual sighting aids to adjust the tool so that its vertical axis is aligned in the required direction.



The laser switches on, the beam begins to rotate and the "auto leveling" LED lights as soon as the tool has leveled itself.

3. Press the on/off button. After the tool has leveled itself automatically, it projects a stationary laser beam vertically downwards. This projected point is the reference point and is used to position the tool.
4. Press the rotation speed button in order to see the laser beam in the entire plane of rotation.
5. The vertically rotating beam can be moved to the left or right by up to 5° by pressing the + and - buttons on the remote control unit.




6.4 Inclination

For optimum results, check that the PR 3-HVSG A12 is correctly aligned. The best way to do this is by selecting 2 points, each at a distance of 5 m (16 ft), one to the left and one to the right of the tool, but parallel to the tool axis. Mark the height of the horizontal plane and then, after setting the slope, mark the heights. The tool is aligned optimally only when these heights are identical at both points.

6.4.1 Setting the slope manually


1. Set up the tool in a suitable position for the application, e.g. on a tripod.
2. Position the rotating laser either at the upper edge or lower edge of the inclined plane.
3. Position yourself behind the tool, facing the control panel.
4. With the aid of the target notch on the head of the tool, bring the tool roughly into alignment with the inclined plane (parallel to the plane).
5. Switch the tool on and then press the inclined plane mode button. The inclined plane mode LED then lights. The laser beam switches on as soon as the tool has leveled itself.
6. To incline the plane of rotation, press the + or – button on the remote control unit. Alternatively, the slope adapter (accessory) can also be used.

 When the angle of inclination is set manually, the rotating laser levels the laser plane once and then fixes it once. Note that this rotating laser does not correct the sloped laser plane for possible deviation occurring due to a change in ambient conditions and/or shift of the mounting. Vibration, changes in temperature or other influences that may occur during the course of the day may affect the position of the laser plane.


7. To return to standard operating mode, the tool must be switched off and then restarted.

6.4.2 Using the slope adapter to set the slope

1. Mount a suitable slope adapter on a tripod.
2. Position the tripod either at the upper edge or lower edge of the inclined plane.
3. Mount the rotating laser on the slope adapter and use the target notch on the head of the PR 3-HVSG A12 to set the tool complete with the slope adapter parallel to the inclined plane.
4. Make sure that the slope adapter is in the zero position (0°).

 The control panel of the PR 3-HVSG A12 has to face away from the direction of inclination.

5. Switch the tool on.
6. Press the inclined plane mode button. The inclined plane mode LED then lights on the control panel of the rotating laser. The tool then begins automatic self-leveling. The laser switches on and begins to rotate as soon as this is complete.
7. Set the slope adapter to the desired angle of inclination.

 When the angle of inclination is set manually, the rotating laser levels the laser plane once and then fixes it once. Note that this rotating laser does not correct the sloped laser plane for possible deviation occurring due to a change in ambient conditions and/or shift of the mounting. Vibration, changes in temperature or other influences that may occur during the course of the day may affect the position of the laser plane.

6.5 Working with the PRA 2 remote control unit

The PRA 2 remote control unit makes working with the rotating laser more convenient and is required in order to make use of certain functions.

Selecting the speed of rotation

After switching on, the rotating laser always begins to operate at a speed of 300 revolutions per minute. A slow speed of rotation can make the laser beam appear much brighter. A high speed of rotation makes the laser beam appear more stable. The speed of rotation can be adjusted by pressing the rotation speed button several times.

Selecting the line function

The area covered by the laser beam can be reduced to a line by pressing the line function button on the remote control unit. The laser beam then appears considerably brighter. The length of the line can be adjusted by pressing the line function button several times. The length of the line depends on the distance of the laser tool from the wall or surface. The laser line can be shifted as desired by pressing the direction buttons (right/left).




6.6 Deactivating the shock warning function

1. Switch the tool on.
2. Press the “Deactivate shock warning” button. The shock warning deactivation LED lights constantly, indicating that the function has been deactivated.
3. To return to standard operating mode, switch the tool off and then switch it back on again.


6.7 Checking the main and transverse horizontal axes

1. Set up the tripod approx. 20 m (66 ft) from a wall and adjust the tripod head horizontally with a spirit level.
2. Mount the tool on the tripod and use the visual sighting method (front and rear sights) to aim the tool at the wall.
3. Use the receiver to catch the laser beam and mark a point (point 1) on the wall.
4. Pivot the tool clockwise through 90° about its own axis. In doing so, ensure that the height of the tool does not change.
5. Use the laser receiver to catch the laser beam and mark a second point (point 2) on the wall.
6. Repeat the two previous steps twice and use the laser receiver to catch the beam and mark points 3 and 4 on the wall.

 If the procedure has been carried out accurately, the vertical distance between the two marked points 1 and 3 (main axis) or, points 2 and 4 (transverse axis), should each be less than 3 mm (at 20 m) (0.12" at 66 ft). If the deviation is greater than this, the tool should be returned to **Hilti Service** for calibration.

6.8 Checking the vertical axis **10, 11**


1. Place the tool in the vertical position on the floor or ground, which should be as flat as possible, approx. 20 m (66 ft) from a wall.
2. Adjust the position of the tool so that the grips are parallel to the wall.
3. Switch the tool on and mark the reference point (R) on the ground or floor.
4. With the aid of the receiver, mark point (A) low on the wall. Select medium speed.
5. With the aid of the receiver, mark point (B) at a height of approx. 10 m (33 ft).
6. Pivot the tool through 180° and realign it with the reference point (R) on the ground or floor and with point (A) at the base of the wall.
7. With the aid of the receiver, mark point (C) at a height of approx. 10 m (33 ft).

 If the procedure has been carried out accurately, the horizontal distance between the two points (B) and (C) marked at a height of ten meters should be less than 2 mm (at 10 m) (0.08" at 33 ft). If the deviation is greater: Please return the tool to **Hilti Service** for calibration.

7 Care, maintenance, transport and storage

7.1 Cleaning and drying

- ▶ Blow any dust off the laser exit window.
- ▶ Do not touch the laser exit window with your fingers.
- ▶ Use only a soft, clean cloth to clean the tool. If necessary, moisten the cloth slightly with pure alcohol or a little water.

 Abrasive cleaning materials may scratch the glass and impair the accuracy of the laser tool. Do not use any liquids other than pure alcohol or water as these may damage the plastic components. Observe the temperature limits when drying the equipment.

7.2 Storage

- ▶ Do not put the tool into storage when wet. Allow it to dry before putting it away.
- ▶ Always clean the tool, its transport container and accessories before putting them into storage.
- ▶ Check the accuracy of the equipment before it is used after a long period of storage or transportation.
- ▶ Observe the temperature limits when storing your equipment. This is particularly important in summer or winter if the equipment is kept inside a motor vehicle.



7.3 Care of the Li-ion battery

- ▶ **Keep the battery clean and free from oil and grease. Do not use cleaning agents containing silicone.**
- ▶ Clean the outer surfaces with a slightly damp cloth at regular intervals.
- ▶ Do not allow moisture to enter the interior.
- ▶ Charge the batteries using the **Hilti** chargers approved for use with Li-ion batteries.

7.4 Transport

Observe the special guidelines applicable to the transport, storage and use of Li-ion batteries.

The batteries must be insulated or removed from the tool before the tool is shipped or sent by mail. Leaking batteries may damage the tool.

7.5 Hilti Measuring Systems Service

Hilti Measuring Systems Service checks the product and, if deviations from the specified accuracy are found, recalibrates it and checks it again to ensure conformity with specifications. The service certificate provides written confirmation of conformity with specifications at the time of the test. The following is recommended:

- A suitable test interval should be chosen in accordance with the degree of use.
- Have the product checked by **Hilti** Measuring Systems Service after exceptionally heavy use or subjection to unusual conditions or stress, before important work or at least once a year.

Having the product checked by **Hilti** Measuring Systems Service does not relieve the user of his/her obligation to check the product before and during use.

7.6 Checking accuracy

In order to ensure compliance with the technical specifications, the tool should be checked regularly (at least before each major / relevant measuring task).

After falling from considerable height, the tool should be checked for correct, accurate operation. When the following conditions are fulfilled it can be assumed that the tool is operating faultlessly:

- The height of the fall did not exceed the height given in the technical data.
- The tool operated faultlessly before the impact.
- The tool suffered no obvious mechanical damage from the impact (e.g. breakage of the pentaprism).
- The tool projects a rotating laser beam when in operation.

8 Troubleshooting

If the trouble you are experiencing is not listed in this table or you are unable to remedy the problem by yourself, please contact **Hilti** Service.

Trouble or fault	Possible cause	Action to be taken
The tool doesn't work.	The battery is not fully inserted.	▶ Push the battery in until it engages with an audible double click.
	Low battery.	▶ Change the battery and charge the empty battery.
The battery runs down more quickly than usual.	Very low ambient temperature.	▶ Warm up the battery slowly to room temperature.
The battery doesn't engage with an audible click.	The retaining lugs on the battery are dirty.	▶ Clean the retaining lugs and refit the battery.
The tool or battery gets very hot.	Electrical fault.	▶ Switch the tool off immediately, remove the battery, keep it under observation, allow it to cool down and contact Hilti Service.




9 Disposal

WARNING

Risk of injury. Hazards presented by improper disposal.

- ▶ Improper disposal of the equipment may have the following consequences: The burning of plastic components generates toxic fumes which may present a health hazard. Batteries may explode if damaged or exposed to very high temperatures, causing poisoning, burns, acid burns or environmental pollution. Careless disposal may permit unauthorized and improper use of the equipment. This may result in serious personal injury, injury to third parties and pollution of the environment.
- ▶ Dispose of defective batteries right away. Keep them out of reach of children. Do not disassemble or incinerate the batteries.
- ▶ Batteries that have reached the end of their life must be disposed of in accordance with national regulations or returned to **Hilti**.

 Most of the materials from which **Hilti** tools and appliances are manufactured can be recycled. The materials must be correctly separated before they can be recycled. In many countries, your old tools, machines or appliances can be returned to **Hilti** for recycling. Ask **Hilti** Service or your Hilti representative for further information.

In accordance with the European Directive on waste electrical and electronic equipment and its implementation in conformance with national law, electric tools or appliances and batteries that have reached the end of their life must be collected separately and returned to an environmentally compatible recycling facility.



- ▶ Do not dispose of electronic measuring tools together with household waste.

To avoid pollution of the environment, tools or appliances and batteries must be disposed of in accordance with the currently applicable national regulations.

10 Manufacturer's warranty

- ▶ Please contact your local **Hilti** representative if you have questions about the warranty conditions.

Mode d'emploi original

1 Indications relatives à la documentation

1.1 À propos de cette documentation

- Lire intégralement la présente documentation avant la mise en service. C'est la condition préalablement requise pour assurer la sécurité du travail et un maniement sans perturbations.
- Bien respecter les consignes de sécurité et les avertissements de la présente documentation ainsi que celles figurant sur le produit.
- Toujours conserver le mode d'emploi à proximité du produit et uniquement le transmettre à des tiers avec ce mode d'emploi.

1.2 Explication des symboles

1.2.1 Avertissements

Les avertissements attirent l'attention sur des dangers liés à l'utilisation du produit. Les termes de signalisation suivants sont utilisés :

DANGER

DANGER !

- ▶ Pour un danger imminent qui peut entraîner de graves blessures corporelles ou la mort.

AVERTISSEMENT

AVERTISSEMENT !

- ▶ Pour un danger potentiel qui peut entraîner de graves blessures corporelles ou la mort.

