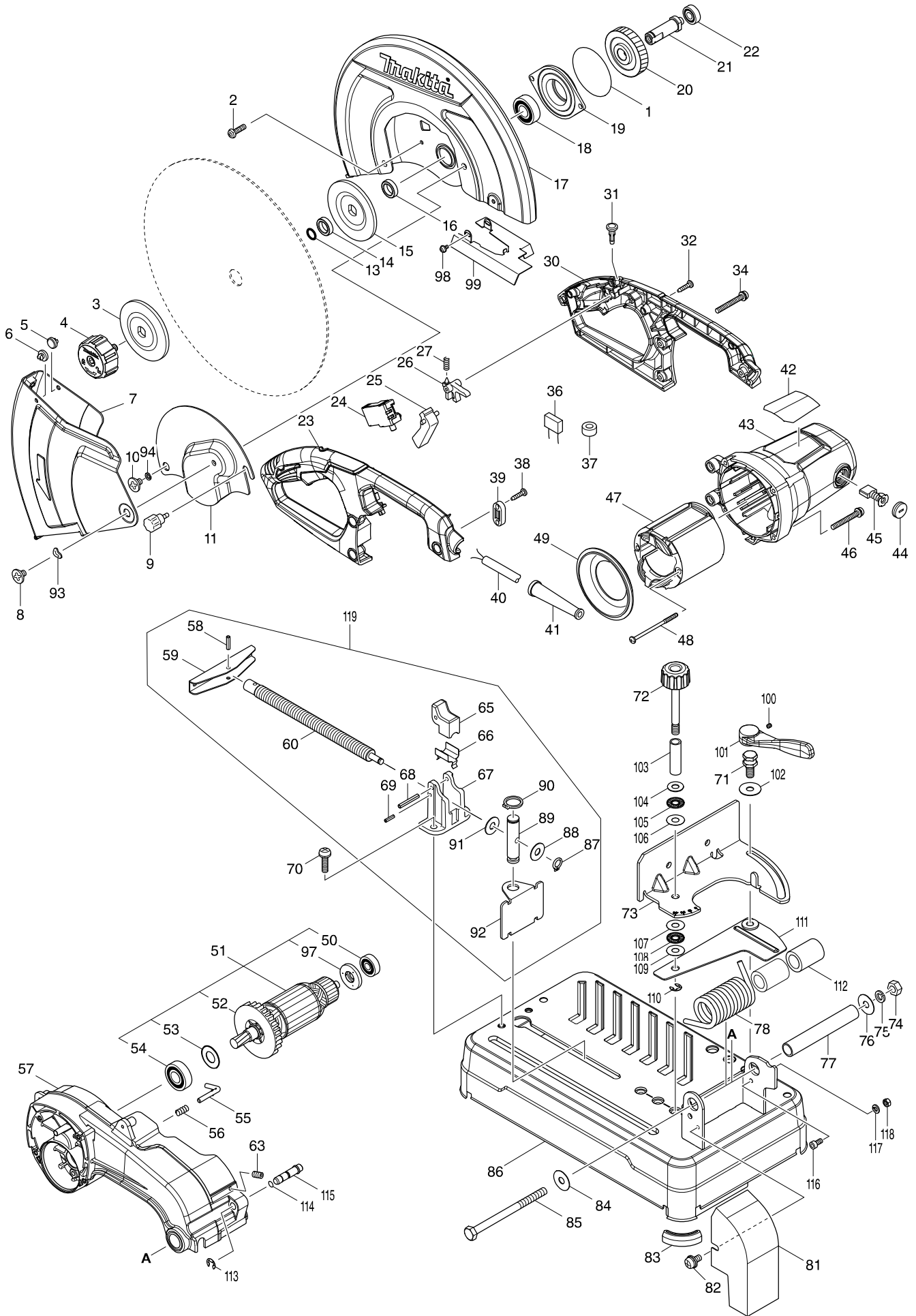


Model No. LW1400 355MM PORTABLE CUT-OFF



Model No. LW1400 355MM PORTABLE CUT-OFF

Item	Parts No.	Description	I/C	QTY	N/O	Opt. 1	Opt. 2	NOTE
001	213858-0	O-RING 65		1				
002	265122-5	PAN HEAD SCREW M5X20		4		100		
003	224456-5	FLANGE 90		1		100		
004	123478-1	TOOLLESSBOLT ASSEMBLY		1				
005	418142-0	PLUG		1		100		
006	418142-0	PLUG		1		100		
007	161401-8	SAFETY GUIDE		1				
008	265121-7	+ FLAT HEAD SCREW M6		1		100		
009	251488-9	THUMB SCREW M6X12		1				
010	265121-7	+ FLAT HEAD SCREW M6		1		100		
011	346968-9	CENTER COVER		1	*			
011-1	347095-5	CENTER COVER	<	1				
013	213180-5	O RING 14		1		100		
014	257255-0	RING 17		1		100		
015	224456-5	FLANGE 90		1		100		
016	257255-0	RING 17		1		100		
017	161400-0	SAFETY COVER		1				
018	211282-1	BALL BEARING 6203ZZ		1		100		
019	319393-7	BEARING BOX		1				
020	227811-0	HELICAL GEAR 50		1				
021	324321-9	SPINDLE		1		100		
022	210067-2	BALL BEARING 6000ZZ		1		100		
023	183C14-3	HANDLE SET		1				
D10		INC. 30						
024	650716-3	SWITCH TGC31B		1				
025	418140-4	SWITCH LEVER		1		100		
026	418139-9	SWITCH LOCK		1		100		
027	231397-8	COMPRESSION SPRING 4		1		100		
030	183C14-3	HANDLE SET		1				
D10		INC. 23						
031	411478-6	SWITCH BUTTON		1	*			
031-1	417113-4	SWITCH BUTTON	<	1		100		
032	266326-2	TAPPING SCREW 4X18		4		100		
034	265104-7	PAN HEAD SCREW M5X40		3		100		
036A	645089-7	NOISE SUPPRESSOR		1		100		
036B	645190-8	NOISE SUPPRESSOR		1		100		
037A	688163-8	LINE FILTER		2		100		
037B	688163-8	LINE FILTER		1		100		
038	266326-2	TAPPING SCREW 4X18		2		100		
039A	687140-7	STRAIN RELIEF		1		100		
039B	687124-5	STRAIN RELIEF		1		100		
040A	695240-9	POWER SUPPLY CORD 1.5-2-3.0		1				
040B	692506-8	POWER SUPPLY CORD 1.0-2-3.0		1				
041A	682574-9	CORD GUARD 10-90		1		100		
041B	682540-6	CORD GUARD 9.3-90		1		100		
042	851S34-8	LW1400 NAME PLATE		1				
043	143463-8	MOTOR HOUSING COMPLETE		1				
C10	643712-8	BRUSH HOLDER		2		100		

Model No. LW1400 355MM PORTABLE CUT-OFF

Item	Parts No.	Description	I/C	QTY	N/O	Opt. 1	Opt. 2	NOTE
044	643700-5	BRUSH HOLDER CAP 7-18		2		100		
045	191953-5	CARBON BRUSH CB-203		1		100		
046	265104-7	PAN HEAD SCREW M5X40		4		100		
C10	654197-3	RING TERMINAL		2		100		
C20	654502-4	CONNECTOR P-2		2		100		
047A	593906-4	FIELD ASS'Y 115V		1				
047B	593909-8	FIELD ASS'Y 240V		1				
048	265A13-6	TAPPING SCREW 5X85		2				
049	418143-8	BAFFLE PLATE		1		100		
050	210070-3	BALL BEARING 6200ZZ		1		100		
D10		INC. 50,52-54,97						
051A	513461-0	ARMATURE ASS'Y 115V		1				
051B	513463-6	ARMATURE ASS'Y 220-240V		1				
052	240164-0	FAN 80		1				
053	267714-6	WASHER 15		1		100		
054	211240-7	BALL BEARING 6200ZZ		1		100		
055	324322-7	STOPPER		1		100		
056	233372-0	COMPRESSION SPRING 7		1		100		
057	143464-6	GEAR HOUSING COMPLETE		1	*			
C10	263029-9	RUBBER PIN 6		1	*	100		
057-1	143464-6	GEAR HOUSING COMPLETE	S	1				
C10	263029-9	RUBBER PIN 6		1		100		
058	951163-4	SPRING PIN 5-20		1		100		
059	272027-2	HANDLE 120		1		100		
060	324323-5	WISE SCREW		1		151		
063	266321-2	H.S.SET SCREW(FLAT POINT)M6X16		1		100		
065	313114-9	WISE NUT		1		151		
066	345311-9	PLATE		1		100		
067	317662-0	SCREW GUIDE		1		100		
068	951175-7	SPRING PIN 5-36		1		100		
069	951110-5	SPRING PIN 4-16		1		100		
070	265125-9	PAN HEAD SCREW M8X30		2		100		
071	266996-7	COLLAR BOLT M10X20		1				
072	271331-6	KNOB 40		1				
073	346970-2	GUIDE PLATE		1	*			
073-1	347280-0	GUIDE PLATE	<	1				
074	931503-2	HEX. NUT M10		1	*	100		
074-1	252183-4	HEX.NUT M10-17	<	1		100		
075	942251-8	SPRING WASHER 10		1		100		
076	253197-6	FLAT WASHER 10		1		100		
077	331648-0	PIPE 20-128		1		100		
078	233633-8	TORSION SPRING 33		1				
081	161399-9	SPARK GUARD		1				
082	265144-5	PAN HEAD SCREW M6X12		1		100		
083	421834-2	CUSHION		3		100		
084	253197-6	FLAT WASHER 10		1		100		
085	265509-1	HEX.BOLT M10X140		1		100		
086	161432-7	BASE		1				

Model No. LW1400 355MM PORTABLE CUT-OFF

Item	Parts No.	Description	I/C	QTY	N/O	Opt. 1	Opt. 2	NOTE
087	961004-6	RETAINING RING S-8		1		100		
088	267257-8	FLAT WASHER 8		1		100		
089	256545-8	PIN 16		1		100		
090	961056-7	RETAINING RING S-16		1		100		
091	267257-8	FLAT WASHER 8		1		100		
092	346636-4	WISE PLATE		1	*	100		
092-1	347277-9	WISE PLATE	<	1				
093	253903-9	WAVE WASHER 6		1		100		
094	941152-7	FLAT WASHER 6		1		100		
097	681630-2	INSULATION WASHER		1		100		
098	911103-4	PAN HEAD SCREW M4X6		2		100		
099	346971-0	SPARK COVER		1	*			
099-1	347275-3	SPARK COVER	<	1				
100	266264-8	H.S.SET SCREW(FLAT POINT)M5X6		1		100		
101	272286-8	LEVER 125		1				
102	253197-6	FLAT WASHER 10		1		100		
103	257389-9	SLEEVE 11		1				
104	253180-3	FLAT WASHER 10		1		100		
105	216413-7	THRUST NEEDLE CAGE 1024		1		100		
106	253353-8	THIN WASHER 10		1				
107	253353-8	THIN WASHER 10		1				
108	216413-7	THRUST NEEDLE CAGE 1024		1		100		
109	253353-8	THIN WASHER 10		1				
110	961014-3	STOP RING E-8		1		100		
111	161402-6	GUIDE BASE		1				
112	257390-4	SLEEVE 20		2	*			
112-1	257413-8	SLEEVE 20	O	2				
113	961014-3	STOP RING E-8		1		100		
114	213011-8	O RING 7		1		100		
115	326624-7	STOPPER PIN		1				
116	922311-2	HEX. SOCKET HEAD BOLT M6X12		1	*	100		
116-1	922312-0	HEX. SOCKET HEAD BOLT M6X12	S	1		100		
117	942151-2	SPRING WASHER 6		1		100		
118	931302-2	HEX. NUT M6		1		100		
119	135708-8	WISE ASS'Y		1				
D10		INC. 58-60,65-69,87-92						
A01	B-19881	14" CUT-OFF WHEEL		1				
E01A	655030-2	PLUG UK TYPE 16A-4H/110V		1				
E02A	654091-9	NON-INSULATED TERMINAL 1.25-2AF		2		100		